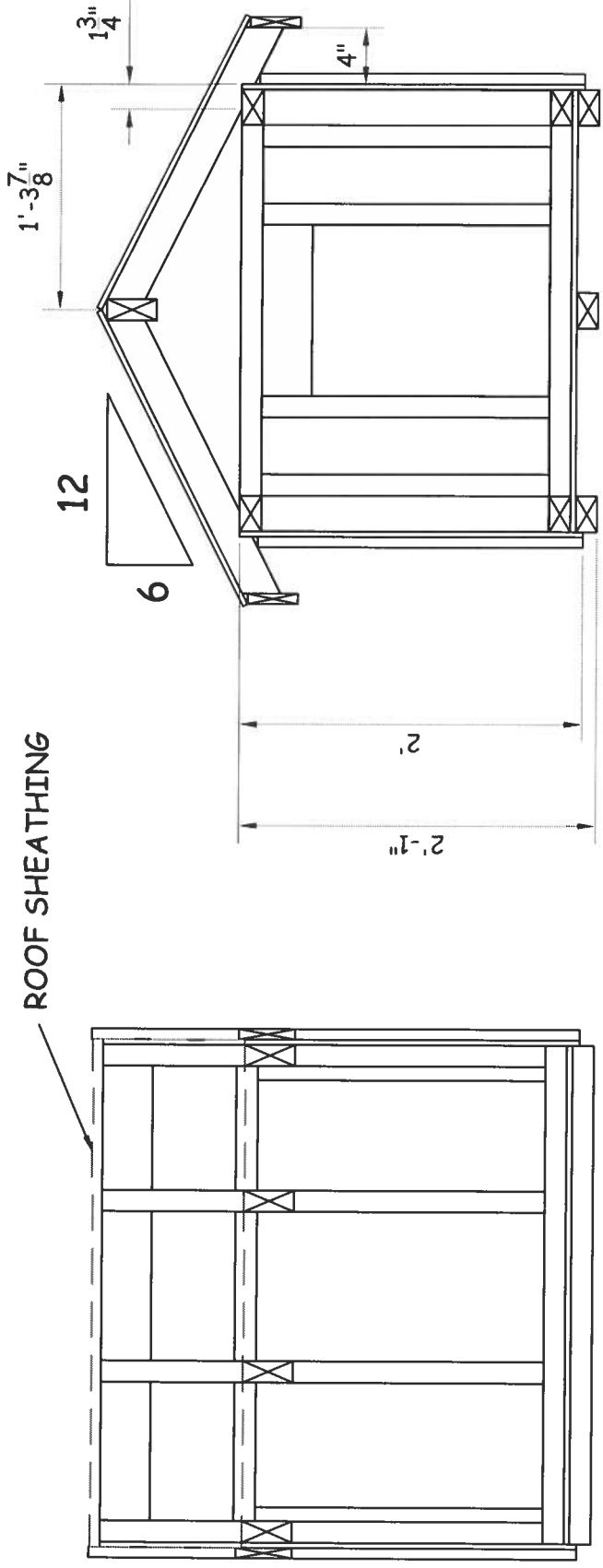


ROOF SHEATHING



SIDE FRAMING DETAIL

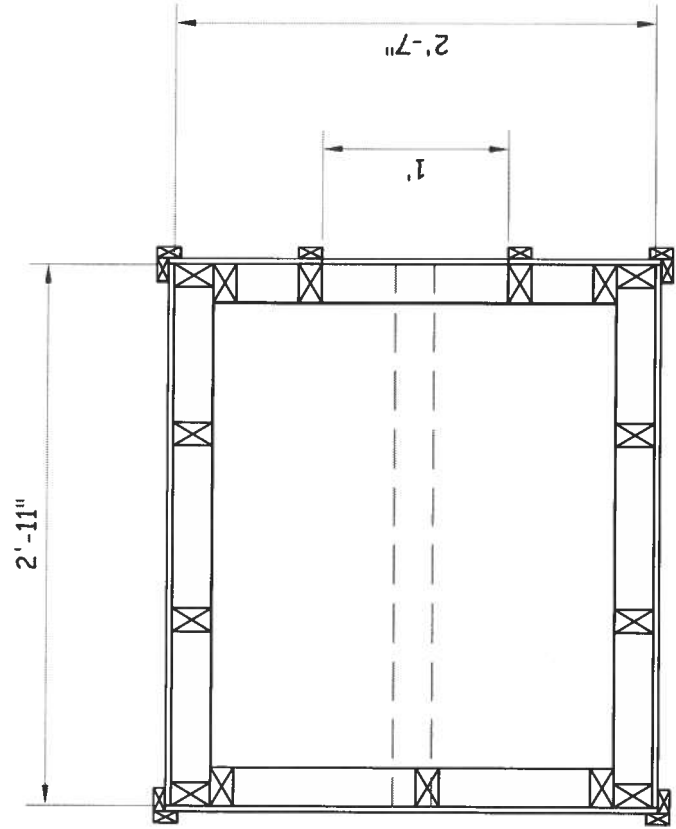
FRONT FRAMING DETAIL

FLOOR DETAILS:

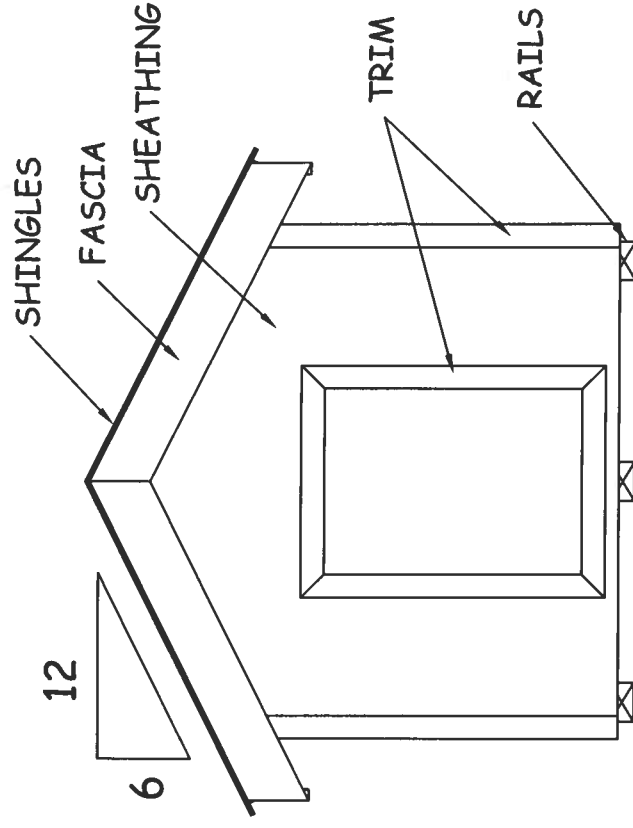
FLOOR CONSTRUCTED FROM 2X3 SPRUCE RAILS, EVENLY SPACED COVERED WITH 3/8" SHEATHING

WALL DETAILS

WALLS CONSTRUCTED FROM 2X3 SPRUCE STUDS 12"oc OPENING 12" WIDE AND CENTERED
 2X4 SINGLE HEADER FLUSH WITH OUTSIDE OF FRAMING
 WALLS TO BE COVERED WITH 3/8" SHEATHING CORNERS AND OPENING TRIMMED WITH 1X2 SPRUCE



FLOOR PLAN



FRONT ELEVATION

ROOF DETAILS:

RIDGE BOARD 2X4 SPRUCE
 RAFTERS 2X3 SPRUCE
 RAFTERS 12"oc (ABOVE STUDS) OVERHANG 4"
 FACIA 1X4 SPRUCE
 GABLE FASCIA IS FLUSH WITH TOP OF ROOF SHEATHING
 ROOF COVERED WITH 3/8" SHEATHING AND ASPHALT SHINGLES
 SHINGLES EXTEND 3/4" PAST FASCIA

**DSBN SKILLS Challenge
 INDIVIDUAL CONSTRUCTION**